

# Stainless Steel Ball Valve

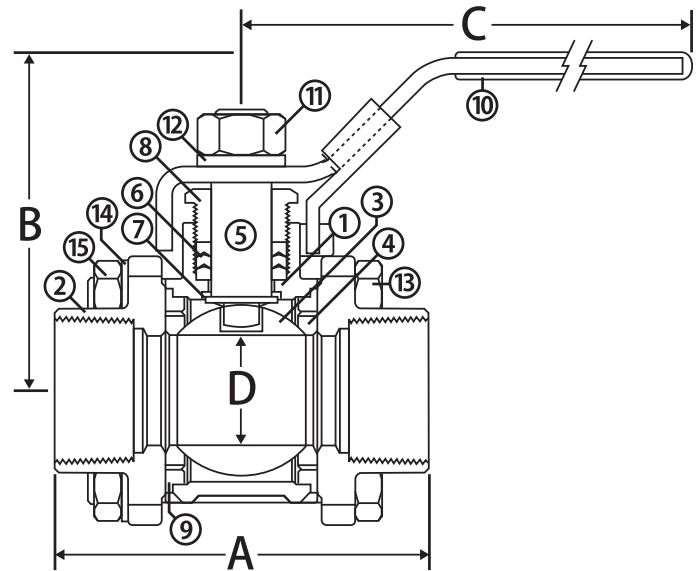


**3 Piece 4 Bolt • Swing Out Body • Full Port • Threaded Connection  
1000 WOG**



**T-SS-1000N-4B**

CRN# OC15459.5



## Features

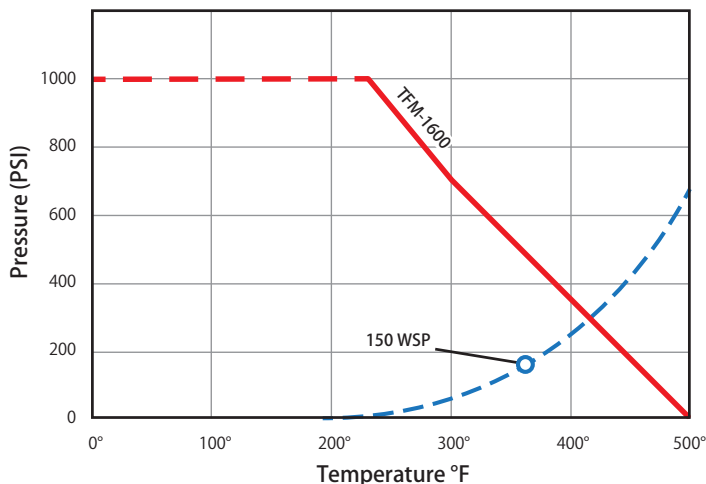
- Latch lock handle, may be locked in open or closed positions
- 29 in-HG vacuum rating
- Repair kit available
- 100% leak tested

## Approvals

- UL Listed 842 (49RO) (1/4" - 2")
  - MHKZ - Manual valves
  - YQNZ - Compressed gas shut-off valves
  - YRBX - Flammable liquid shut-off valves
  - YRPV - Gas shut-off valves
  - YSDT - LP gas shut-off valves
  - YQAR - Anhydrous ammonia shut-off valves
- MSS SP-110
- NACE Certified

## Valve Seat Rating

1000 WOG - 150 WSP



## Material Specifications

No.	Part	Materials
1	Body	CF8M Stainless Steel
2	End Cap (2)	CF8M Stainless Steel
3	Ball	CF8M Stainless Steel
4	Seat (2)	Hostaflo <sup>®</sup> TFM 1600
5	Stem	316 Stainless Steel
6	Packing (2)	RPTFE
7	Stem Seal	Hostaflo <sup>®</sup> TFM 1600
8	Packing Gland	316 Stainless Steel
9	Body Seal (2)	Hostaflo <sup>®</sup> TFM 1600
10	Handle	304 Stainless Steel
11	Handle Nut	304 Stainless Steel
12	Lock Washer	304 Stainless Steel
13	Body Bolt (4)	304 Stainless Steel
14	Body Lock Washer (4)	304 Stainless Steel
15	Body Nut (4)	304 Stainless Steel

## Dimensions

Part No.	Size	A	B	C	D
500-301	1/4"	2.37	2.18	4.30	0.37
500-302	3/8"	2.37	2.18	4.30	0.37
500-303	1/2"	2.76	2.38	4.30	0.56
500-304	3/4"	3.03	2.87	5.81	0.81
500-305	1"	3.63	2.95	5.81	1.00
500-306	1-1/4"	4.14	3.66	7.44	1.25
500-307	1-1/2"	4.73	3.94	7.44	1.50
500-308	2"	5.43	4.25	7.81	1.97
500-310	3"	7.52	5.26	9.75	3.00
500-311	4"	8.54	6.57	11.88	3.93

Tank Truck Service & Sales, Inc. Warren, Michigan  
800-482-2678 [www.tanktruckservice.com](http://www.tanktruckservice.com)

# Stainless Steel Ball Valve

3 Piece 4 Bolt • Swing Out Body • Full Port • Socket Weld  
1000 WOG



S-SS-1000N-4B

### Features

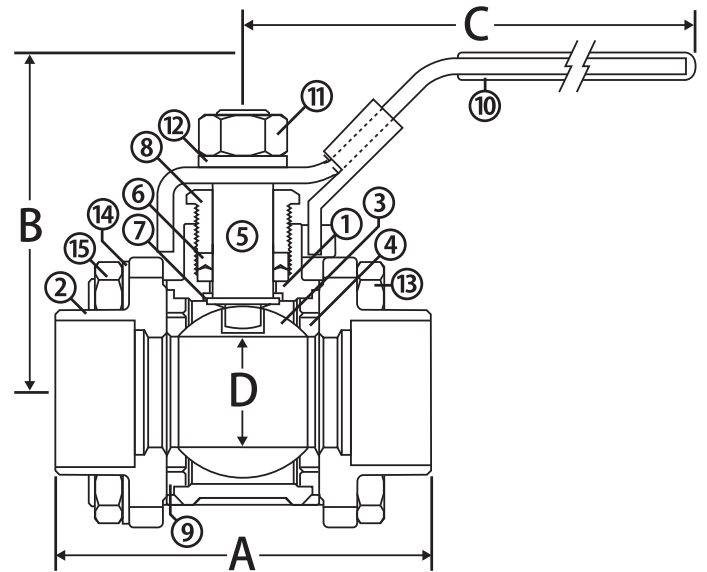
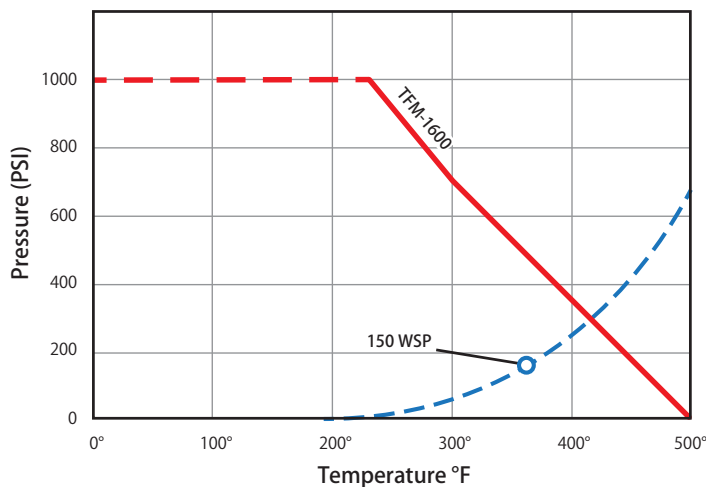
- Latch lock handle, may be locked in open or closed positions
- 29 in-HG vacuum rating
- Repair kit available
- 100% leak tested

### Approvals

- UL Listed 842 (49RO)
  - YSDT - LP gas shut-off valves
  - YQAR - Anhydrous ammonia shut-off valves
- MSS SP-110
- NACE Certified

### Valve Seat Rating

1000 WOG - 150 WSP



### Material Specifications

No.	Part	Materials
1	Body	CF8M Stainless Steel
2	End Cap (2)	CF8M Stainless Steel
3	Ball	CF8M Stainless Steel
4	Seat (2)	Hostaflo <sup>®</sup> TFM 1600
5	Stem	316 Stainless Steel
6	Packing (2)	RPTFE
7	Stem Seal	Hostaflo <sup>®</sup> TFM 1600
8	Packing Gland	316 Stainless Steel
9	Body Seal (2)	Hostaflo <sup>®</sup> TFM 1600
10	Handle	304 Stainless Steel
11	Handle Nut	304 Stainless Steel
12	Lock Washer	304 Stainless Steel
13	Body Bolt (4)	304 Stainless Steel
14	Body Lock Washer (4)	304 Stainless Steel
15	Body Nut (4)	304 Stainless Steel

### Dimensions

Part No.	Size	A	B	C	D
500-341	1/4"	2.37	2.18	4.30	0.43
500-342	3/8"	2.37	2.18	4.30	0.43
500-343	1/2"	2.76	2.38	4.30	0.56
500-344	3/4"	3.03	2.87	5.81	0.81
500-345	1"	3.63	2.95	5.81	1.00
500-346	1-1/4"	4.14	3.66	7.44	1.25
500-347	1-1/2"	4.73	3.94	7.44	1.50
500-348	2"	5.43	4.25	7.81	1.97
500-350	3"	7.52	5.26	9.75	3.00
500-351	4"	8.54	6.57	11.88	3.93